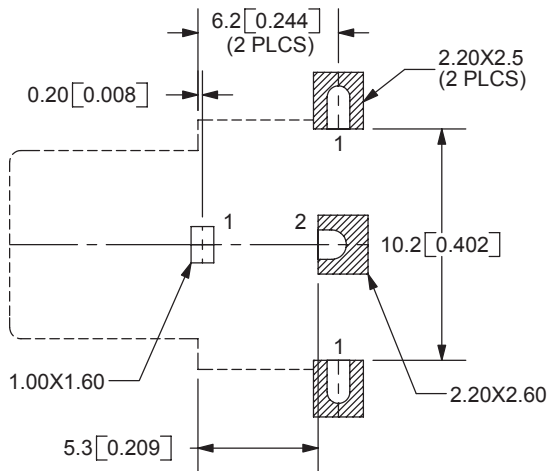
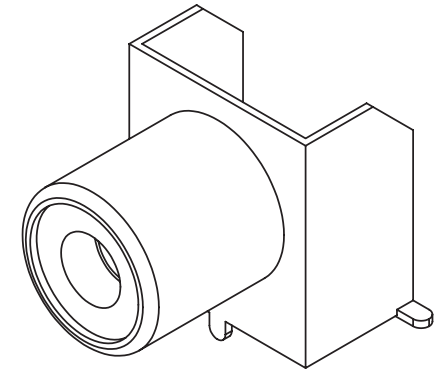
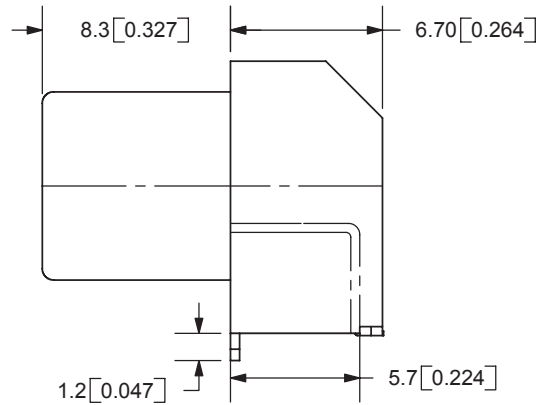
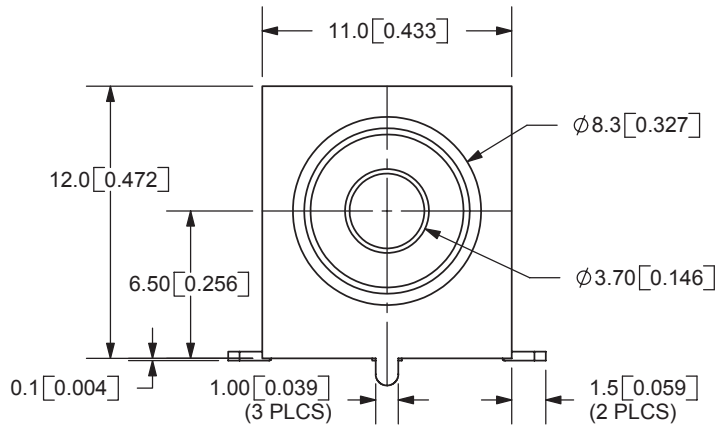


| REV. | DESCRIPTION | DATE |
|------|-------------------------|-----------|
| A | NEW DRAWING | 3/2/2006 |
| B | added TR package option | 11/7/2012 |



PCB LAYOUT
TOP VIEW

| | |
|-----------|-------------|
| MODEL NO. | RCJ-01X-SMT |
| SCHEMATIC | |

| COLOR INDEX | |
|-------------|--------|
| PART NO. | COLOR |
| RCJ-011-SMT | Black |
| RCJ-012-SMT | Red |
| RCJ-013-SMT | White |
| RCJ-014-SMT | Yellow |
| RCJ-017-SMT | Orange |

Note:
Add suffix "-TR" to the model number for
tape & reel packaging

TOLERANCE:
X.X ±0.2mm
X.XX ±0.1mm
X.XXX ±0.05mm



20050 SW 112th Ave.
Tualatin, OR 97062
Phone: 503-612-2300
800-275-4899
Fax: 503-372-1266
Website: www.cui.com

SPECIFICATIONS:
CONTACT RESISTANCE: 25m OHMS MAX
INSULATION RESISTANCE: 100M OHMS MIN: 500V DC
VOLTAGE WITHSTAND: 500V AC R.M.S. FOR 1 MINUTE
LIFE: 5,000 CYCLES
OPERATING TEMP: -25° ~ +85°C

| | MATERIAL | PLATING |
|----------------|------------|---------|
| SHELL | Brass | Tin |
| BRACKET | C.R. Steel | Tin |
| CENTER CONTACT | Brass | Tin |
| INSULATOR | PA66 | |

| | |
|-----------------------|--------------------|
| TITLE: SMD RCA SOCKET | REV: B |
| PART NO. RCJ-01X-SMT | UNITS: MM [INCHES] |
| DRAWN BY: ZRJ | APPROVED BY: |
| | SCALE: 3:1 |

PC FILE NAME:
RCJ-01X-SMT

COPYRIGHT 2012 BY CUI INC.